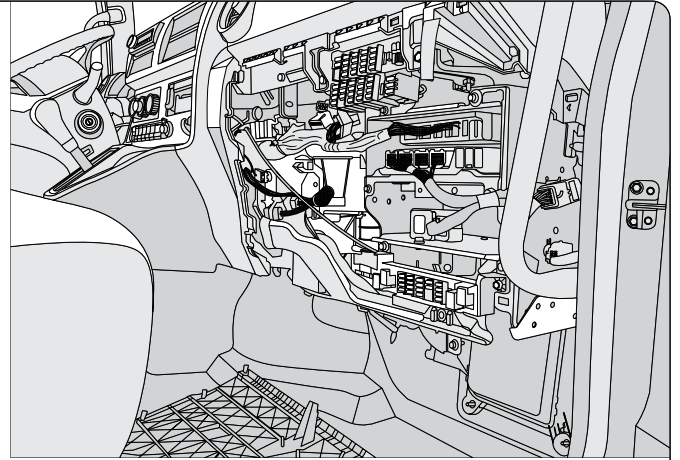
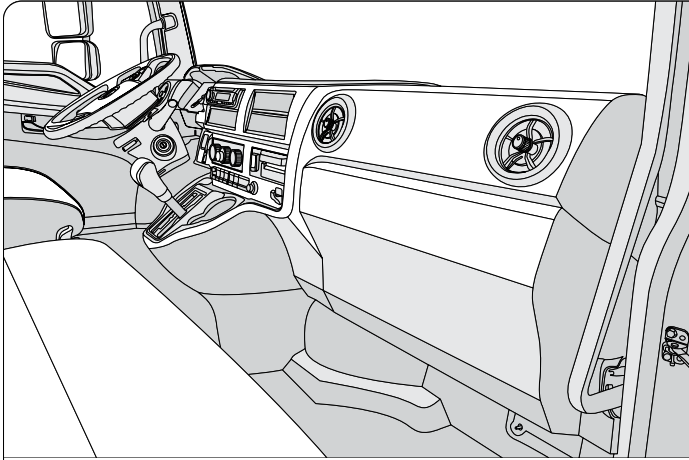
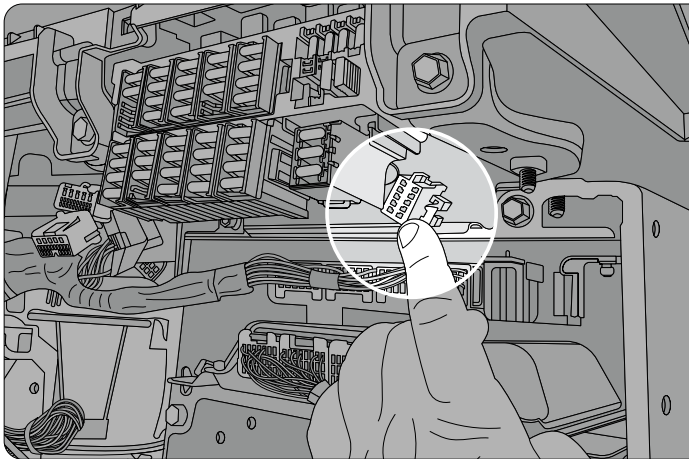


2019 Hino Install Guide

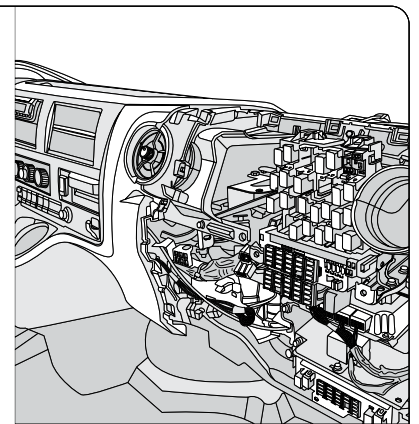
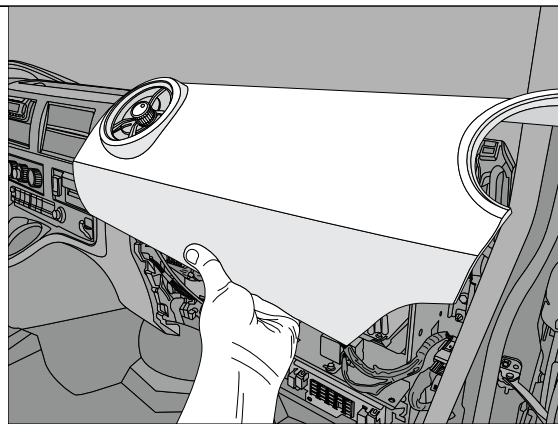
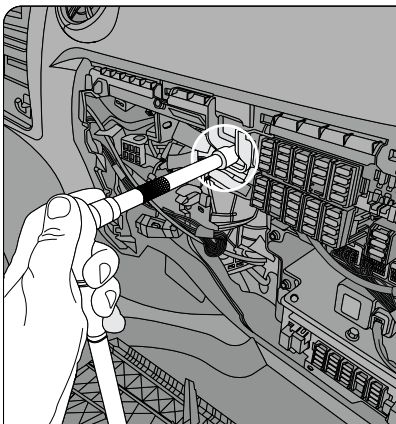
Installation Guide [for HRN-CM24Y1 and HRN-CH10A2 harnesses]



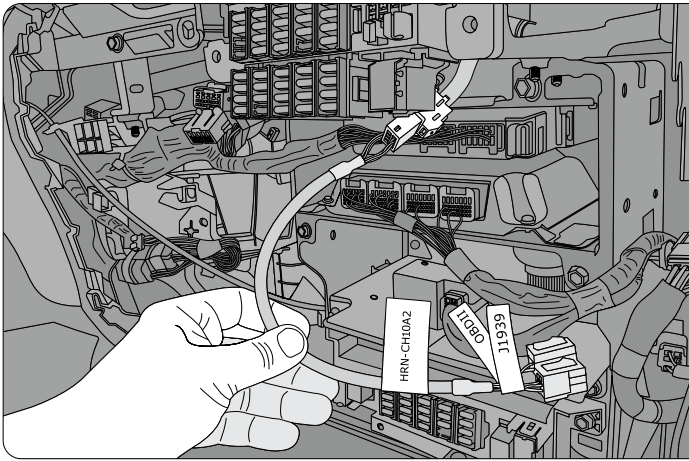
Step 1: Remove the lower passenger-side dash panel. It is held in place by clips only.



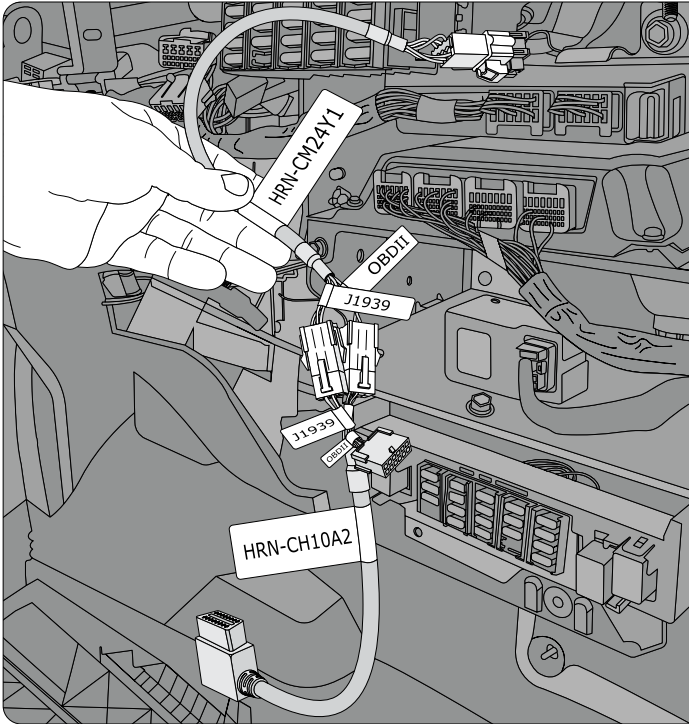
Step 2: Locate the 10-pin GPS connector at the back right of the fuse box.



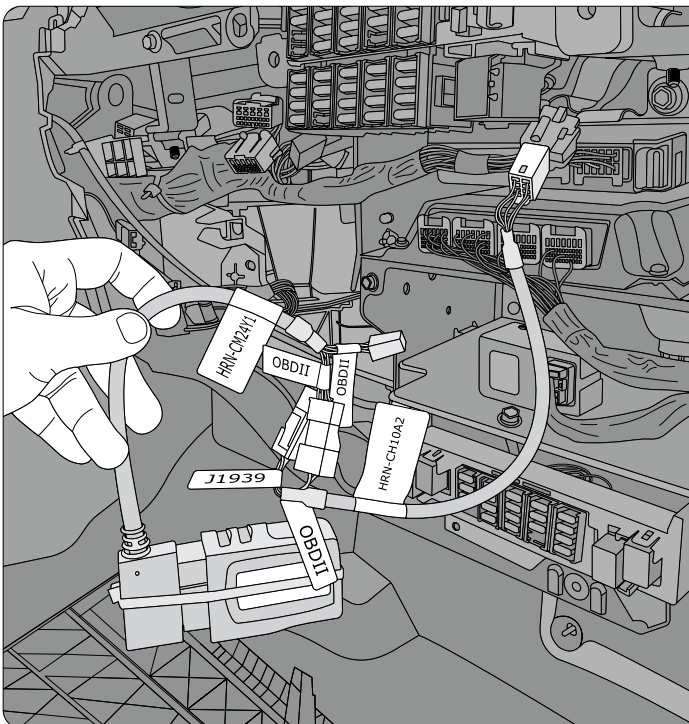
Step 3: Remove the upper passenger-side dash panel by removing the two 10 mm bolts.



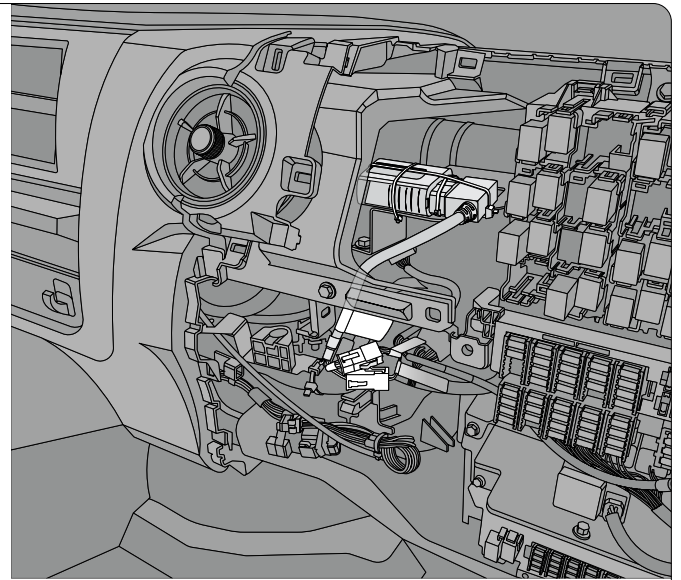
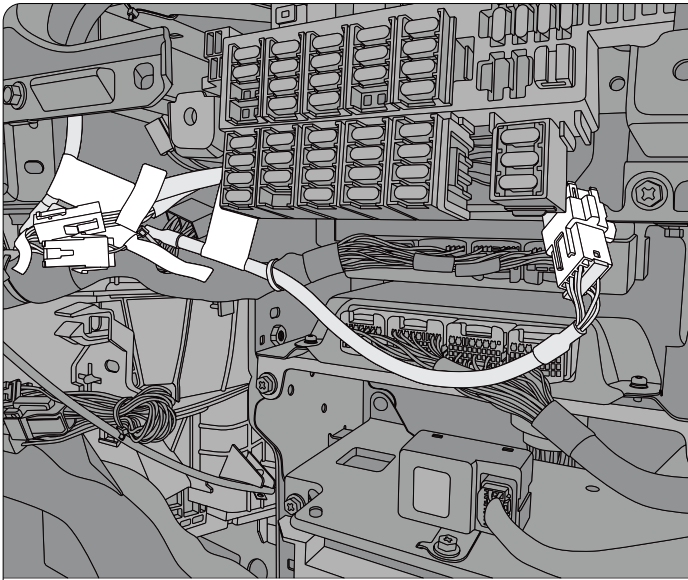
Step 4: Plug the HRN-CH10A2 into the factory 10-pin GPS connector.



Step 5: Plug the HRN-CM24Y1 into the HRN-CH10A2. Be sure to connect both the J1939 and OBD-II 6-pin connections.

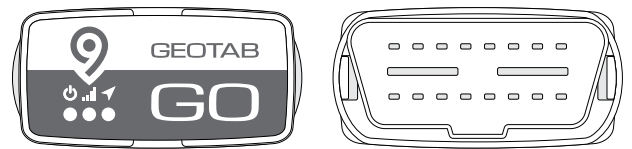


Step 6: Plug in the GO device and secure it with the provided zip tie.

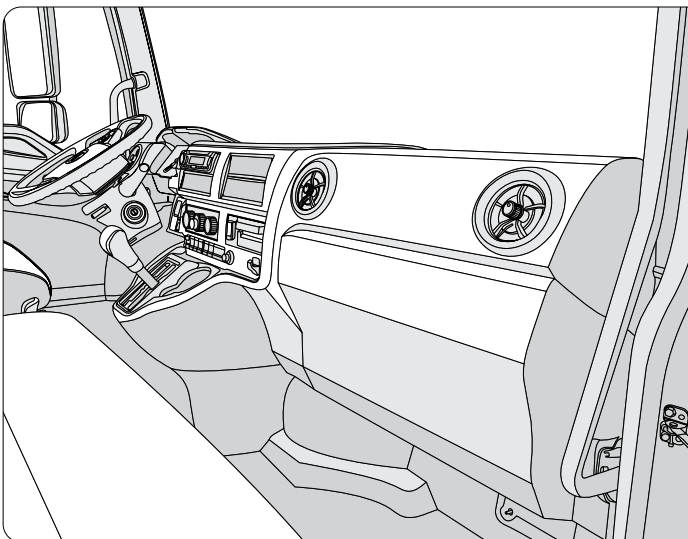


Step 7: Neatly run the GO device and cabling to the top dash to the left of the fuse box. Mount the GO device to the factory dash bracket above the fuse box.

IMPORTANT: Ensure that the GPS antenna is facing skyward.



GPS antenna located at "bottom" of device.



Step 8: Complete an install check for the GO device. Once done, reinstall all dash panels.